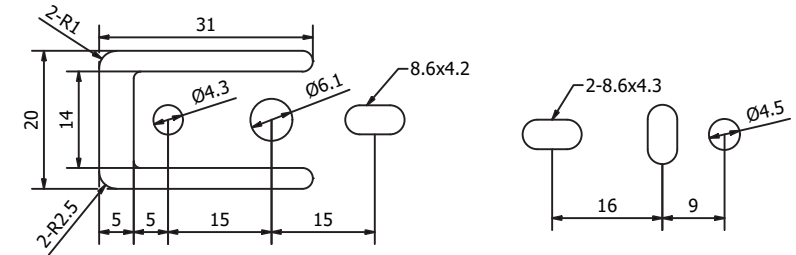
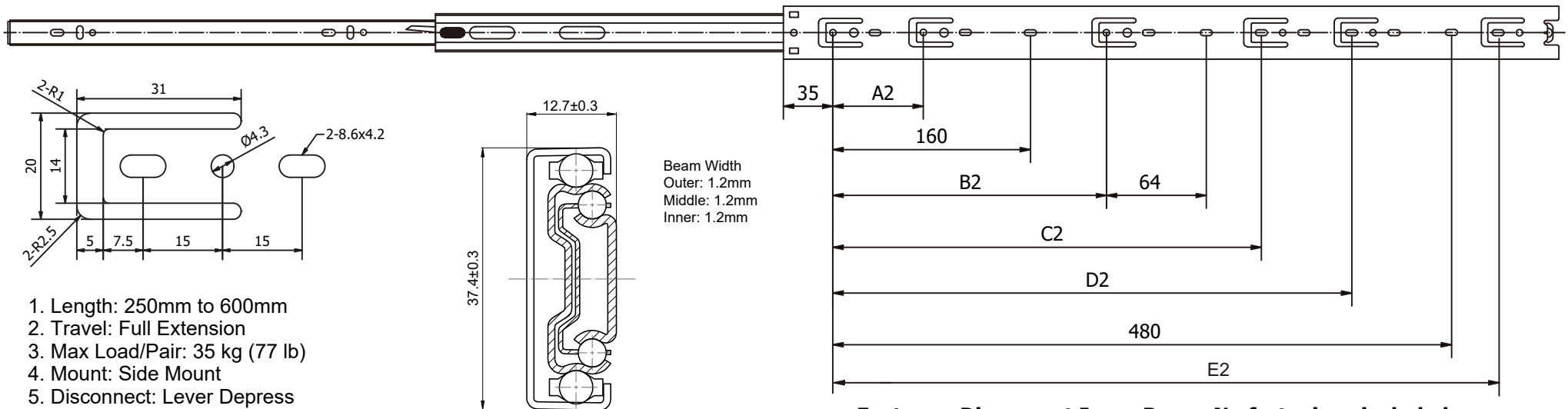
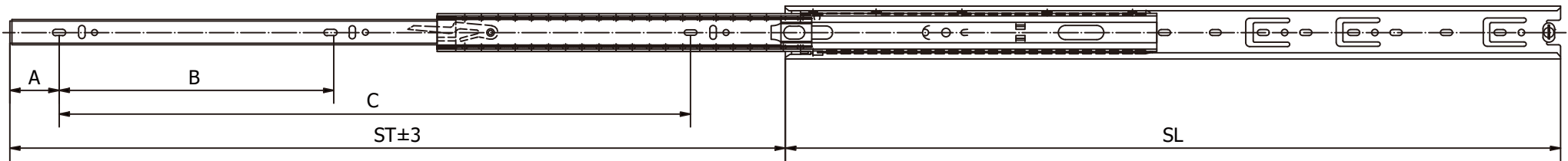


CODE	SL	ST	A	B	C	A2	B2	C2	D2	Load/Pr
R20D.250	250	250	35	160	-	-	-	-	160	30
R20D.300	300	300	35	96	192	64	244	-	-	35
R20D.350	350	350	35	128	256	64	244	-	-	35
R20D.400	400	400	35	128	320	64	244	-	288	35
R20D.450	450	450	35	160	352	64	244	-	352	35
R20D.500	500	500	35	192	416	64	244	352	416	35
R20D.550	550	550	35	224	448	64	244	352	416	35
R20D.600	600	600	35	224	512	64	244	352	416	30



Value E2 is 512mm for the 600mm length



Features: Disconnect Inner Beam. No fastenings included

- Length: 250mm to 600mm
- Travel: Full Extension
- Max Load/Pair: 35 kg (77 lb)
- Mount: Side Mount
- Disconnect: Lever Depress
- Finish: Clear Zinc. RoHS compliant
- Material: Cold Rolled Steel
- Packing: 20 pairs/carton

Note: Sold As 20 Pair Cartons MOQ



SLIDING
SYSTEMS

Part Number:	Type: R20D	Drawn by:	Date:	Material:
Description:	4032.R20D.XXX	Checked by:	Projection Method:	Finish: