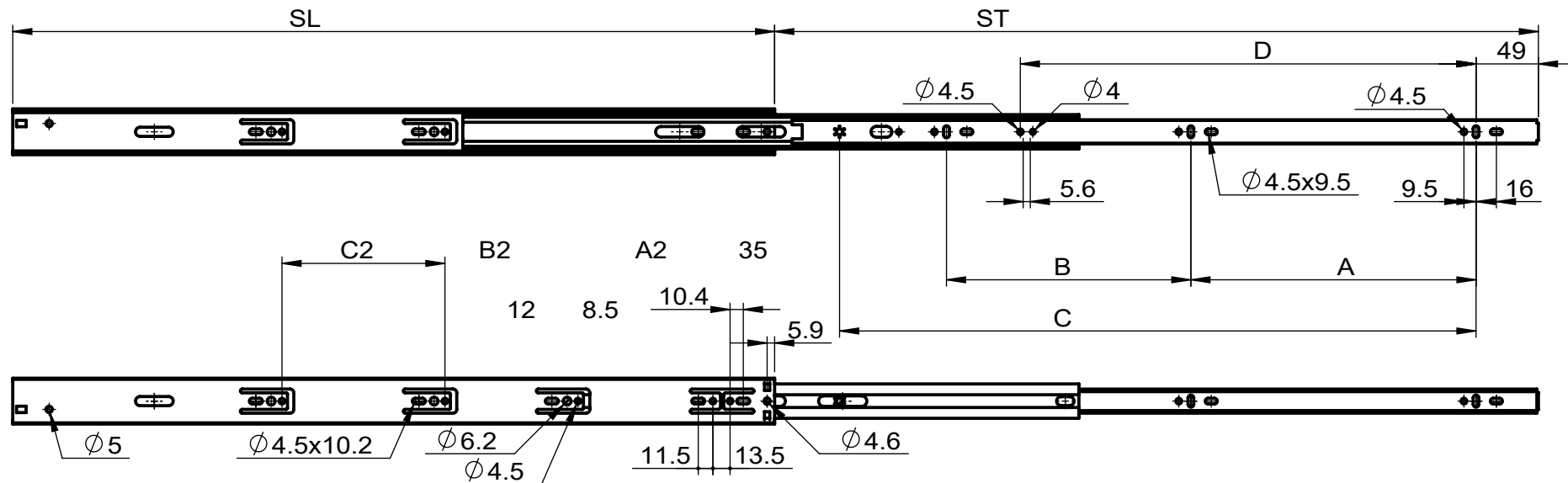
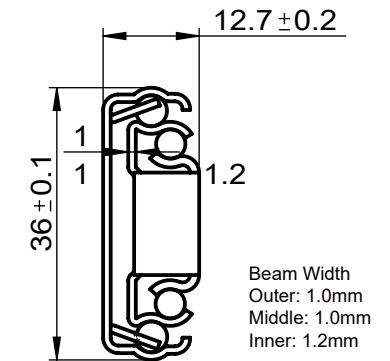


CODE	SL	ST	A	B	C	D	A2	B2	C2	Load/Pr
R20D-SC.250	250	147	-	-	-	-	-	-	-	30
R20D-SC.300	300	248	64	-	200	-	96	-	-	35
R20D-SC.350	350	315	96	-	250	-	72.5	55.5	-	35
R20D-SC.400	400	380	128	-	300	243	128	55.5	-	35
R20D-SC.450	450	446	160	125	350	-	128	96	-	35
R20D-SC.500	500	496	192	128	400	310	128	96	64	35
R20D-SC.550	550	546	192	192	450	334	128	96	96	35
R20D-SC.600	600	600	224	192	500	358	128	96	128	30



1. Length: 250mm to 600mm
2. Travel: Full Extension
3. Max Load/Pair: 35 kg (77 lb)
4. Mount: Side Mount
5. Disconnect: Lever Depress
6. Finish: Clear Zinc. RoHS compliant
7. Material: Cold Rolled Steel
8. Packing: 20 pairs/carton

Note: Sold As 20 Pair Cartons MOQ

Features: Disconnect Inner Beam/Soft Close. No fastenings included



SLIDING
SYSTEMS

Part Number:	Type: R20D-SC	Drawn by:	Date:	Material:
	4032.R20D-SC.XXX	Checked by:	Projection Method:	Finish: