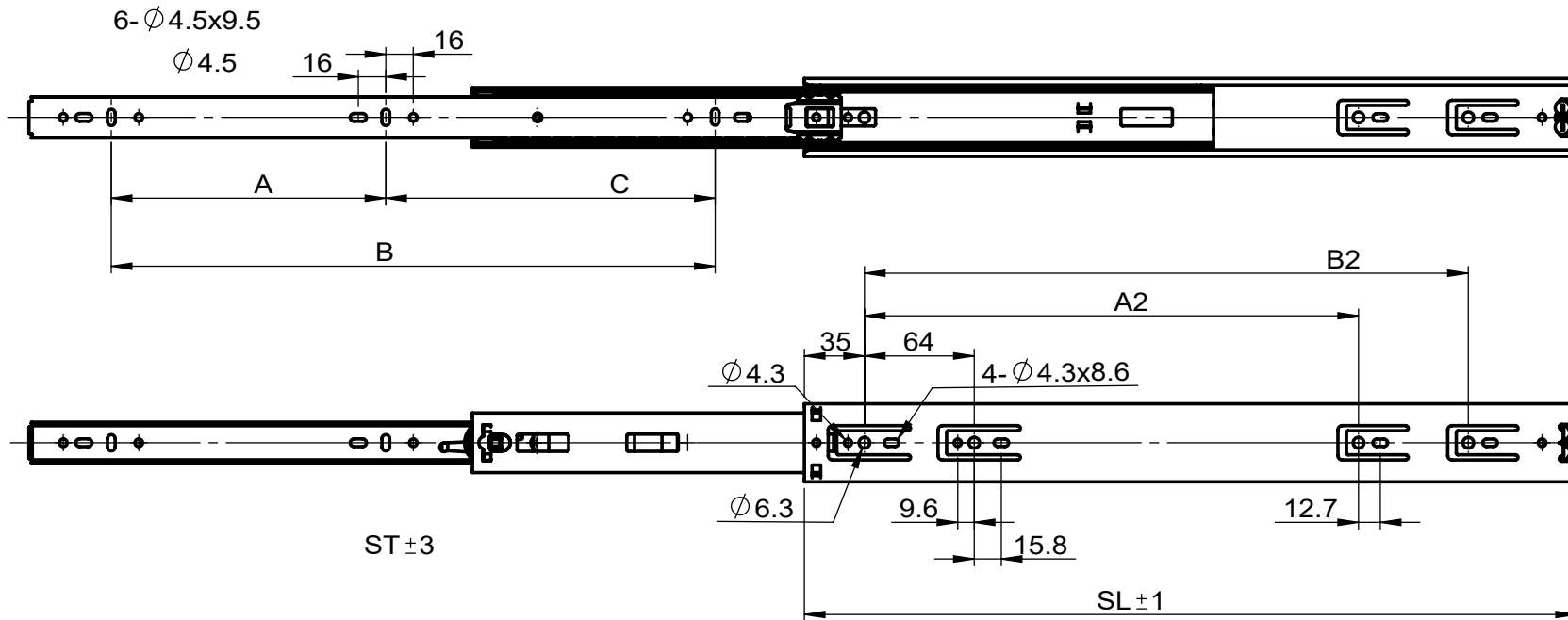
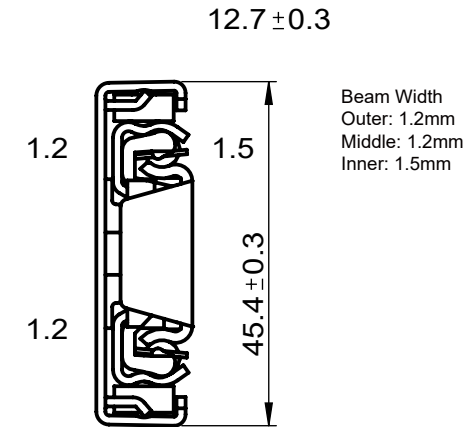


7 C89	G@	GH	5	6	7	5 &	6 &	@UX#Df
F " &) \$	250	250	-	160	-	160	-	40
F " \$\$	300	302	-	192	-	192	-	45
F ") \$	350	354	96	-	160	256	-	45
F "(\$\$	400	400	128	-	160	288	-	45
F "() \$	450	452	160	-	192	288	352	45
F ") \$\$	500	515	192	-	224	288	416	45
F ")) \$	550	558	192	-	256	288	416	45
F " * \$\$	600	600	224	-	288	320	480	40



- F Length: 250mm to 600mm
- G Travel: Full Extension
- H Max Load/Pair: 11 kg (JJ lb)
- I Mount: Side Mount
- J Disconnect: Lever Depress
- K Finish: Clear Zinc. RoHS compliant
- L Material: Cold Rolled Steel
- M Packing: 15 pairs/carton

Features: Disconnect Inner Beam. No fastenings included

Note: Sold As ½ Pair Cartons MOQ



SLIDING SYSTEMS

Part Number:	Type: R2FD	Drawn by:	Date:	Material:
Description:	4032.R2FD.XXX	Checked by:	Projection Method:	Finish: