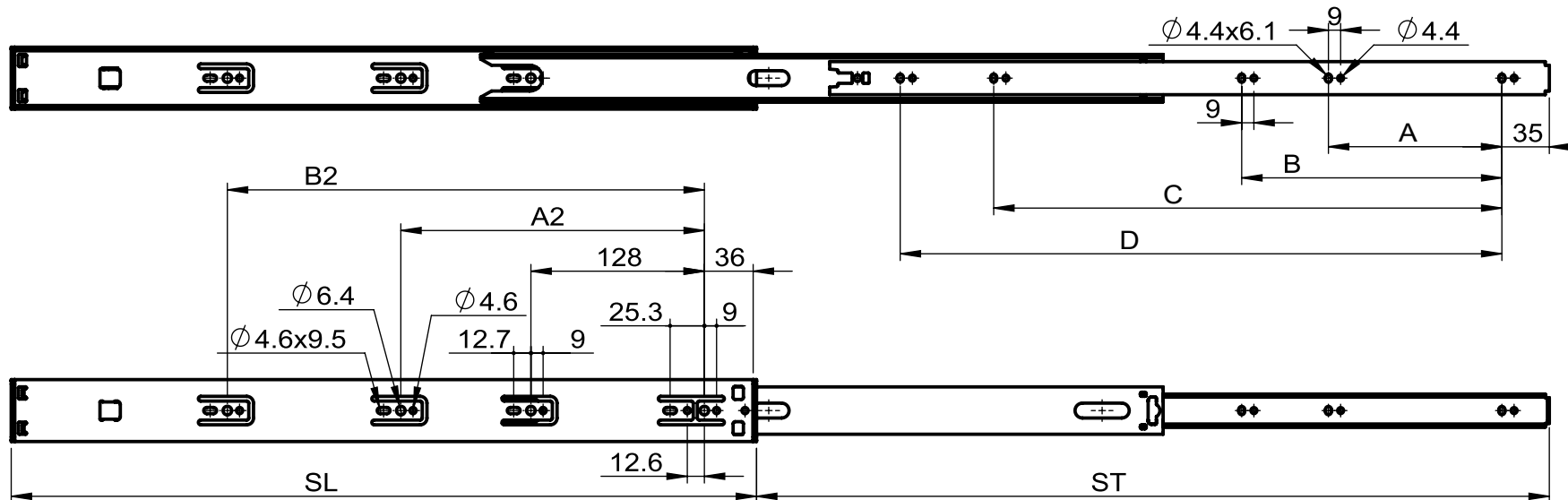
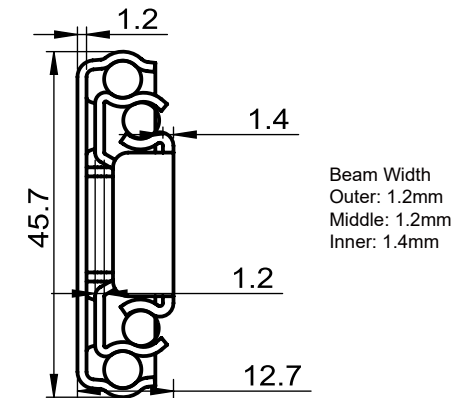


CODE	SL	ST	A	B	C	D	A2	B2	P/C	Load/Pr
R21D-PO.250	250	238	-	-	-	156	-	-	10	40
R21D-PO.300	300	302	-	-	-	200	-	-	10	45
R21D-PO.350	350	356	96	-	-	256	192	-	10	45
R21D-PO.400	400	406	128	-	-	294	224	-	10	45
R21D-PO.450	450	457	96	160	-	344	288	-	10	45
R21D-PO.500	500	508	96	160	352	394	224	352	10	45
R21D-PO.550	550	585	128	192	375	444	224	352	10	45



1. Length: 250mm to 550mm
2. Travel: Full Extension
3. Max Load/Pair: 45 kg (99 lb)
4. Mount: Side Mount
5. Disconnect: Lever Depress
6. Finish: Clear Zinc. RoHS compliant
7. Material: Cold Rolled Steel
8. Packing: 10 pairs/carton

Note: Sold As 10 Pair Cartons MOQ

Features: Disconnect Inner Beam/Push To Open. No fastenings included



SLIDING
SYSTEMS

Part Number:	Type: R21D-PO	Drawn by:	Date:	Material:
	4032.R21D-PO.XXX	Checked by:	Projection Method:	Finish: