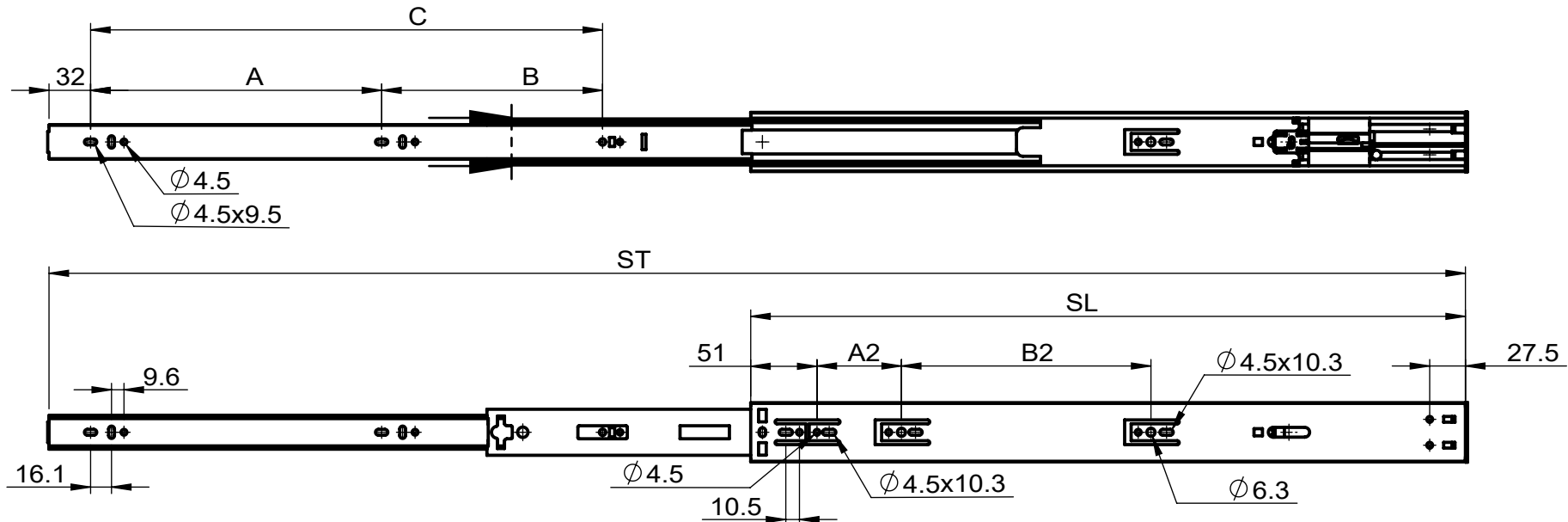
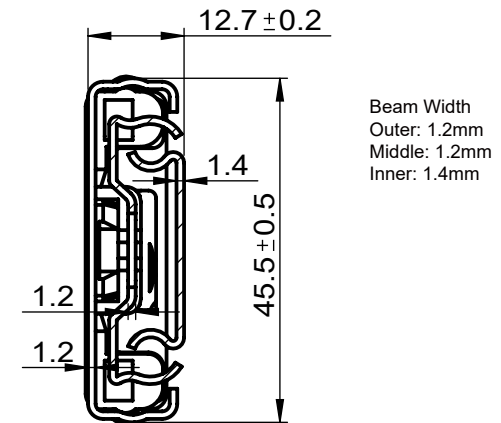


7 C 8 9	G@	GH	5	6	7	5 &	6 &	@UX#Df
F & B -SC"&)	\$ 250	430	-	-	116	-	-	30
F & D-SC" \$\$	300	545	-	-	166	65	-	35
F & D-SC") \$	350	690	96	120	-	65	64	35
F & D-SC"(\$\$	400	790	128	116	-	65	96	35
F & D-SC"() \$	450	890	128	166	-	65	128	35
F & D-SC.) \$\$	500	990	192	152	-	65	160	35
F & D-SC")) \$	550	1090	224	170	-	65	192	35



1. Length: 250mm to 550mm
2. Travel: Full Extension
3. Max Load/Pair: 35 kg (77 lb)
4. Mount: Side Mount
5. Disconnect: Lever Depress
6. Finish: Clear Zinc. RoHS compliant
7. Material: Cold Rolled Steel
8. Packing: 15 pairs/carton

Note: Sold As 15 Pair Cartons MOQ

Features: Disconnect Inner Beam/Soft Close. No fastenings included



SLIDING
SYSTEMS

Part Number:	Type: R21D-SC	Drawn by:	Date:	Material:
	4032.R21D-SC.XXX	Checked by:	Projection Method:	Finish: