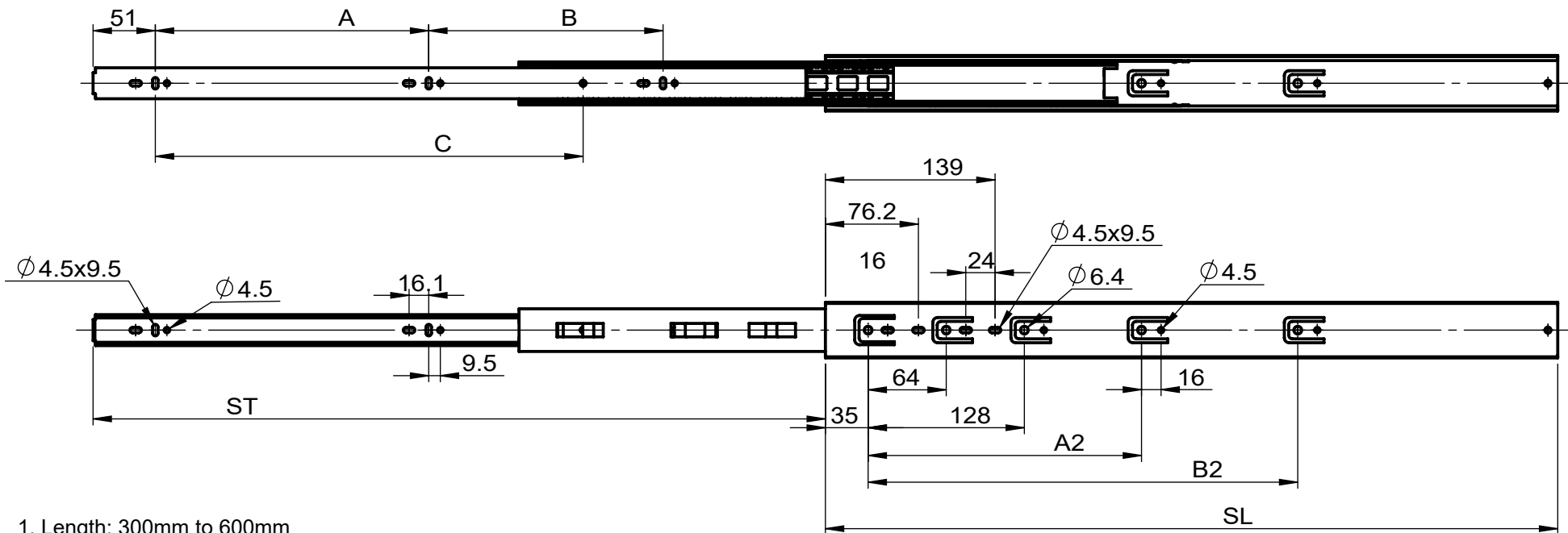
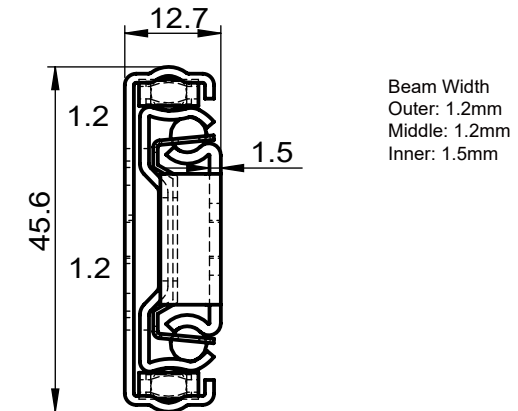


CODE	SL	ST	A	B	C	A2	B2	Load/Pr
R21D-SCPO.300	300	225	96	-	125.5	-	-	30
R21D-SCPO.350	350	300	128	-	175.5	-	-	30
R21D-SCPO.400	400	375	128	-	225.5	192	-	30
R21D-SCPO.450	450	450	160	-	275.5	224	-	30
R21D-SCPO.500	500	500	192	-	325.5	224	288	30
R21D-SCPO.550	550	550	192	160	375.5	224	320	30
R21D-SCPO.600	600	600	224	192	425.5	224	352	30



1. Length: 300mm to 600mm
2. Travel: Full Extension
3. Max Load/Pair: 30 kg (66 lb)
4. Mount: Side Mount
5. Disconnect: Lever Depress
6. Finish: Clear Zinc. RoHS compliant
7. Material: Cold Rolled Steel
8. Packing: 15 pairs/carton

Note: Sold As 15 Pair Cartons MOQ

Features: Disconnect Inner Beam/Soft Close/Push To Close. No fastenings included



SLIDING
SYSTEMS

Part Number:	Type: R21D-SCPO	Drawn by:	Date:	Material:
	4032.R21D-SCPO.XXX	Checked by:	Projection Method:	Finish: